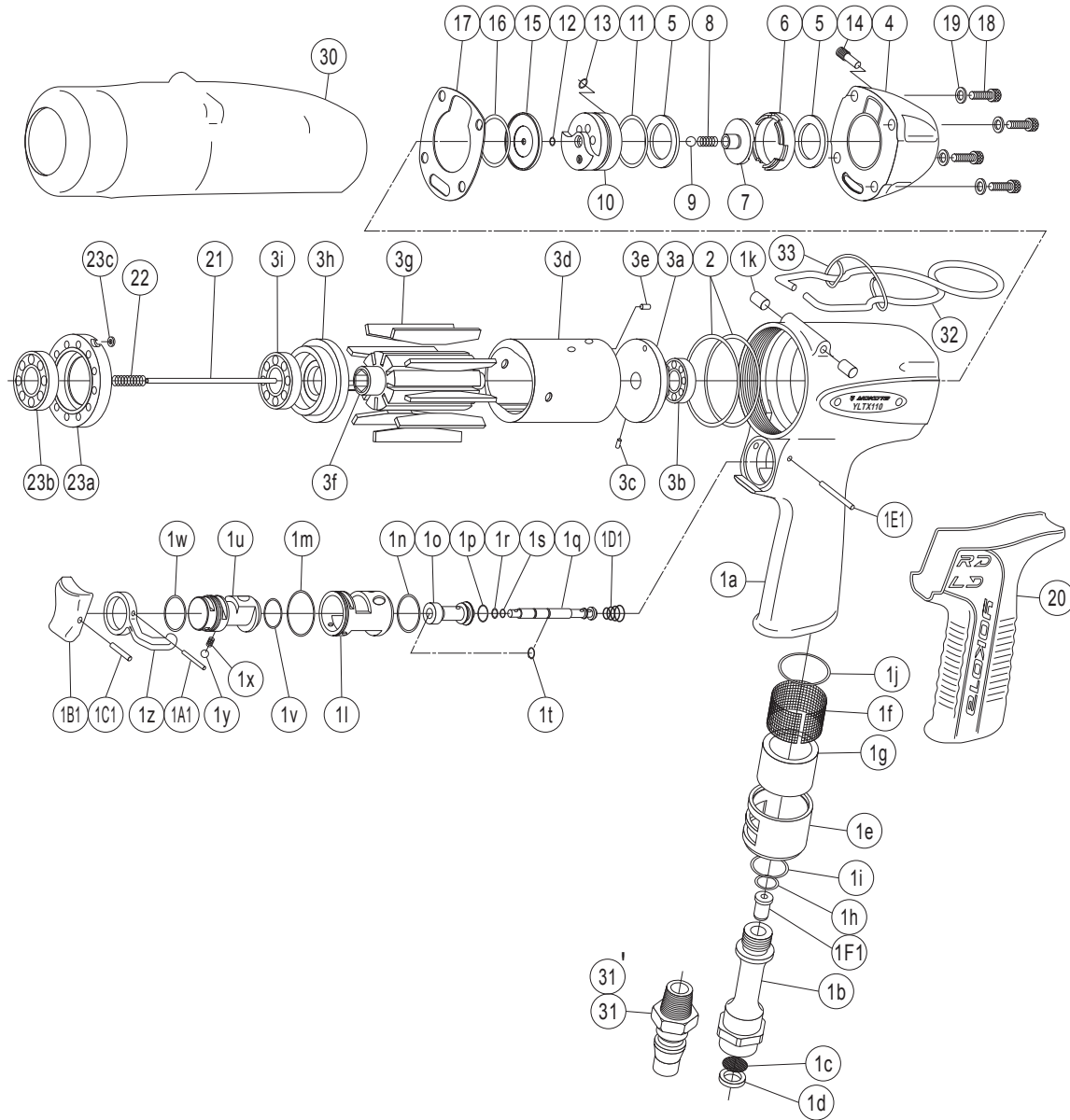


# SHUT-OFF IMPULSE WRENCH

| MODELS (YES.No.) | TOOL No.       |
|------------------|----------------|
| YLTX110 (00)     | 0395 0000 0000 |
| YLTX110E (00)    | 0395 0000 0009 |

## Exploded View of Motor Case



## Parts for Motor Case

| No. | Name of Parts                    | Per Set | Parts No.       | No.                  | Name of Parts               | Per Set | Parts No.       |
|-----|----------------------------------|---------|-----------------|----------------------|-----------------------------|---------|-----------------|
| 1   | Motor Case Assy.                 | 1set    | 0395 0011 00 99 | 4                    | Motor Case Cover            | 1       | 0379 0001 00 00 |
|     | (a) Motor Case                   | 1       | ※ ↑             | 5                    | Back-up Ring (19×26×1.5)    | 2       | 9090 1035 00 00 |
|     | Hose Joint Assy.                 | 1set    | 0187 0113 00 99 | 6                    | Buffer Plate                | 1       | 0379 0297 01 00 |
|     | (b) Hose Joint                   | 1       | ※ ↑             | 7                    | Shut Off Valve              | 1       | 0379 0295 00 00 |
|     | (c) Strainer                     | 1       | 0259 0111 00 00 | 8                    | Spring (3.95×8.4)           | 1       | 8020 1382 00 00 |
|     | (d) Washer (7.5×11×2)            | 1       | 8042 2008 00 00 | 9                    | Ball (4mm)                  | 1       | 9150 1005 00 00 |
|     | (e) Exhaust Cover                | 1       | 0379 0016 01 00 | 10                   | Shut Off Valve Bushing      | 1       | 0379 0296 02 00 |
|     | (f) Silencer Sheet (A)           | 1       | 0141 0032 00 01 | 11                   | O-Ring (S22)                | 1       | 9010 4011 00 00 |
|     | (g) Silencer Sheet (D)           | 1       | 0187 0032 00 04 | 12                   | O-Ring (N2)                 | 1       | 9010 4001 00 00 |
|     | (h) O-Ring (S10)                 | 1       | 9010 4004 00 00 | 13                   | O-Ring (1.4×2.16×4.96)      | 1       | 9010 6068 00 00 |
|     | (i) O-Ring (S16)                 | 1       | 9010 4009 00 00 | 14                   | Valve Plug                  | 1       | 0379 0298 00 00 |
|     | (j) O-Ring (1×20×22)             | 1       | 9010 6043 00 00 | 15                   | Upper Plate Spacer          | 1       | 0379 0301 00 00 |
|     | (k) Spring Pin (5×8)             | 2       | 9250 2027 00 00 | 16                   | O-Ring (S22)                | 1       | 9010 4011 00 00 |
|     | Throttle Assy.                   | 1set    | 0379 0186 00 99 | 17                   | S-Packing                   | 1       | 0379 0003 00 00 |
|     | (l) Throttle Bushing             | 1       | 0187 0104 00 00 | 18                   | Hexagon Socket Bolt (M4×10) | 4       | 8070 3159 00 00 |
|     | (m) O-Ring (0.7×19.6×21)         | 1       | 9010 6038 00 00 | 19                   | Washer (4×6.6×1.2)          | 4       | 8041 6016 00 00 |
|     | (n) O-Ring (S18)                 | 1       | 9010 4023 00 00 | 20                   | Rubber Grip                 | 1       | 0188 0144 00 00 |
|     | Throttle Rod Bushing Assy.       | 1set    | 0187 0105 00 99 | 21                   | Rod                         | 1       | 0379 1368 02 00 |
|     | (o) Throttle Rod Bushing         | 1       | ※ ↑             | 22                   | Spring (5.9×23)             | 1       | 8020 1432 00 00 |
|     | (p) O-Ring (P8)                  | 1       | 9010 1048 00 00 | 23                   | Lower Plate Spacer Assy.    | 1set    | 0379 0311 00 99 |
|     | Throttle Rod Assy.               | 1set    | 0187 0106 01 99 |                      | (a) Lower Plate Spacer      | 1       | 0379 0311 00 00 |
|     | (q) Throttle Rod                 | 1       | 0187 0106 01 00 |                      | (b) Ball Bearing (6802)     | 1       | 9100 1063 00 00 |
|     | (r) O-Ring (0.5×3.7×4.7)         | 1       | 9010 6034 00 00 |                      | (c) Washer (WSSB4-2-2)      | 1       | 8041 6015 00 00 |
|     | (s) O-Ring (S4)                  | 1       | 9010 4058 00 00 | Standard Accessories |                             |         |                 |
|     | (t) Snap Ring (ETW-2.8)          | 1       | 9040 5008 00 00 | 30                   | Protector                   | 1       | 0379 0029 00 00 |
|     | (u) Reverse Valve                | 1       | 0379 0005 00 00 | 31*                  | Touch Joint (20-PM)         | 1       | 9690 0002 00 00 |
|     | (v) O-Ring (0.6×16×17.2)         | 1       | 9010 6039 00 00 | 31'*                 | Hose Nipple Assy. (XA-352)  | 1set    | 8110 1004 00 99 |
|     | (w) O-Ring (S15)                 | 1       | 9010 4008 00 00 | 32                   | Hanger                      | 1       | 0099 0017 00 00 |
|     | (x) Spring (3×4)                 | 1       | 8020 1246 00 00 | 33                   | Hanger Clip                 | 1       | 0190 1801 00 00 |
|     | (y) Ball (1/8)                   | 1       | 9150 3009 00 00 |                      | Hex. Wrench (H1.5×65×65)    | 1       | 9610 1012 00 00 |
|     | (z) Reverse Lever                | 1       | 2331 0007 00 00 |                      | Hex. Wrench (H5/32)         | 1       | 9610 3008 00 00 |
|     | (A1) Spring Pin (2×12)           | 1       | 9250 1015 00 00 |                      |                             |         |                 |
|     | (B1) Throttle Knob               | 1       | 0158 0153 00 00 |                      |                             |         |                 |
|     | (C1) Spring Pin (1.5×14)         | 1       | 9250 1005 00 00 |                      |                             |         |                 |
|     | (D1) Conical Spring (5.24×7.6×7) | 1       | 8020 3070 00 00 |                      |                             |         |                 |
|     | (E1) Pin (2×22)                  | 1       | 8055 1050 00 00 |                      |                             |         |                 |
|     | (F1) Bushing                     | 1       | 0395 0728 00 00 |                      |                             |         |                 |
| 2   | O-Ring (S42)                     | 2       | 9010 4018 00 00 |                      |                             |         |                 |
| 3   | Motor Assy.                      | 1set    | 0379 0305 00 99 |                      |                             |         |                 |
|     | Upper Plate Assy.                | 1set    | 0379 0303 00 99 |                      |                             |         |                 |
|     | (a) Upper Plate                  | 1       | 0379 0303 00 00 |                      |                             |         |                 |
|     | (b) Ball Bearing (6900CM)        | 1       | 9102 1001 00 00 |                      |                             |         |                 |
|     | (c) Pin (2×5)                    | 1       | 8055 1040 00 00 |                      |                             |         |                 |
|     | Cylinder Assy.                   | 1set    | 0379 0304 00 99 |                      |                             |         |                 |
|     | (d) Cylinder                     | 1       | ※ ↑             |                      |                             |         |                 |
|     | (e) Pin (2.5×6)                  | 1       | 8055 1053 00 00 |                      |                             |         |                 |
|     | (f) Rotor                        | 1       | 0379 0305 00 00 |                      |                             |         |                 |
|     | (g) Vane                         | 9       | 0379 0306 01 00 |                      |                             |         |                 |
|     | Lower Plate Assy.                | 1set    | 0379 0307 00 99 |                      |                             |         |                 |
|     | (h) Lower Plate                  | 1       | 0379 0307 00 00 |                      |                             |         |                 |
|     | (i) Ball Bearing (6902CM)        | 1       | 9102 1004 00 00 |                      |                             |         |                 |

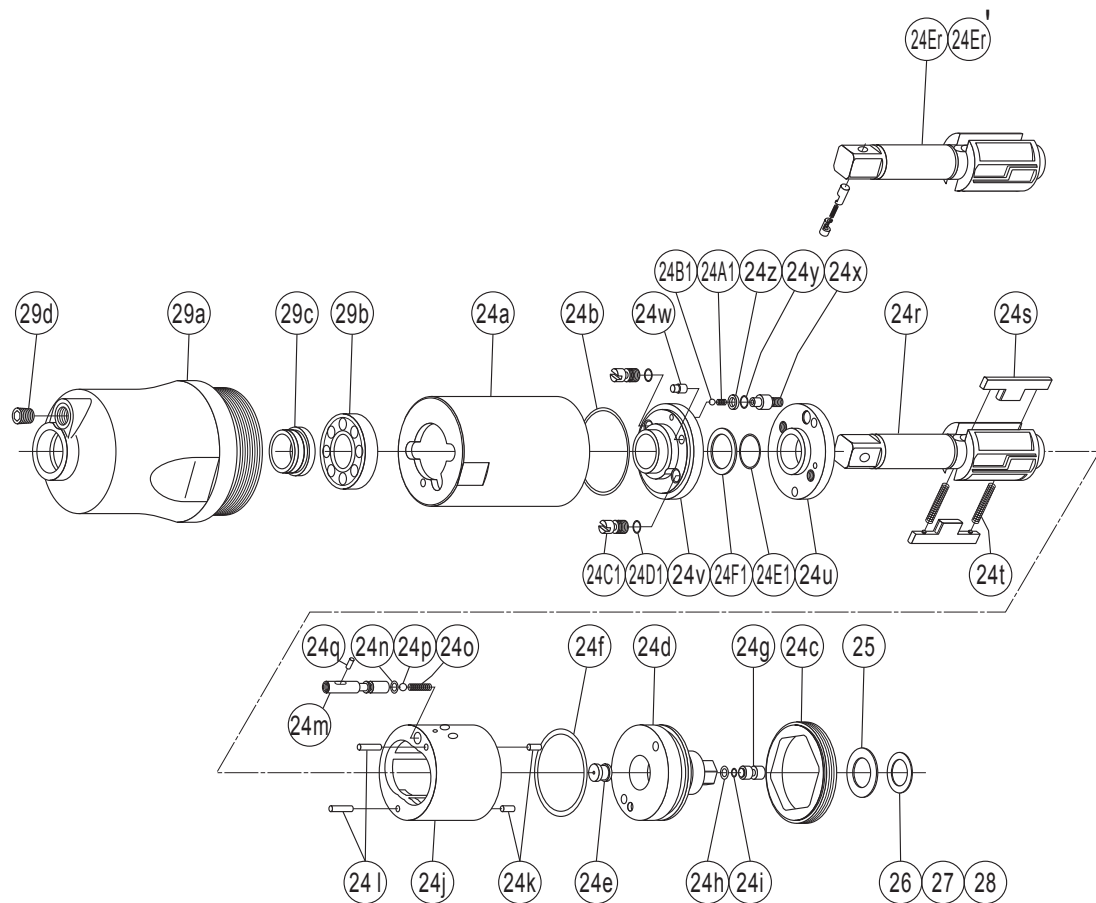
The part "※" can not be supplied individually. So please order it as a unit of assembly shown by arrow mark (↑).

☆marked parts; use one of them.

# SHUT-OFF IMPULSE WRENCH

| MODELS (YES.No.) | TOOL No.       |
|------------------|----------------|
| YLTX110 (00)     | 0395 0000 0000 |
| YLTX110E (00)    | 0395 0000 0009 |

## Exploded View of Liner Case and Hammer Case



## Parts for Liner Case and Hammer Case

| No. | Name of Parts                 | Per Set | Parts No.       | No. | Name of Parts              | Per Set | Parts No.       |
|-----|-------------------------------|---------|-----------------|-----|----------------------------|---------|-----------------|
| 24  | Liner Case Assy.              | 1set    | 0395 0422 00 99 | 25  | Washer (11.6×19.2×1)       | 1       | 8040 6036 00 00 |
|     | (a) Liner Case                | 1       | 0379 0422 00 00 | 26* | ST-Packing (11.6×19.2×0.1) | 1       | 8012 1124 00 00 |
|     | (b) O-Ring (1.6×35.1×38.3)    | 1       | 9010 6037 00 00 | 27* | ST-Packing (11.6×19.2×0.2) | 1       | 8012 1125 00 00 |
|     | (c) Liner Cap                 | 1       | 0379 0423 00 00 | 28* | ST-Packing (11.6×19.2×0.3) | 1       | 8012 1126 00 00 |
|     | (d) Liner Upper Plate         | 1       | 0379 0424 01 00 | 29  | Hammer Case Assy.          | 1set    | 0379 0401 00 99 |
|     | (e) Liner Upper Plate(A)      | 1       | ※ ↑             |     | (a) Hammer Case            | 1       | 0379 0401 00 00 |
|     | (f) O-Ring (1.78×34.65×38.21) | 1       | 9010 6069 00 00 |     | (b) Ball Bearing (6704)    | 1       | 9100 1082 00 00 |
|     | (g) Sensor                    | 1       | 0379 0794 01 00 |     | (c) Main Shaft Bushing     | 1       | 0379 0612 00 00 |
|     | (h) O-Ring (1.19×3.66×6.04)   | 1       | 9010 6080 00 00 |     | (d) Socket Plug (1/16-27)  | 1       | 8210 4001 00 00 |
|     | (i) O-Ring (N4)               | 1       | 9011 0014 00 00 |     |                            |         |                 |
|     | Liner Assy.                   | 1set    | 0379 0425 00 99 |     |                            |         |                 |
|     | (j) Liner                     | 1       | ※ ↑             |     |                            |         |                 |
|     | (k) Pin (3×5)                 | 2       | 8052 1031 00 00 |     |                            |         |                 |
|     | (l) Pin (3×9)                 | 2       | 8052 1052 00 00 |     |                            |         |                 |
|     | (m) Relief Valve              | 1       | 0379 0245 01 00 |     |                            |         |                 |
|     | (n) O-Ring (0.69×3.38×4.76)   | 1       | 9010 6070 00 00 |     |                            |         |                 |
|     | (o) Spring (3.05×8.2)         | 1       | 8020 1433 00 00 |     |                            |         |                 |
|     | (p) Ball (3mm)                | 1       | 9150 1003 00 00 |     |                            |         |                 |
|     | (q) Pin (2×4)                 | 1       | 8051 1035 00 00 |     |                            |         |                 |
|     | (r) Main Shaft                | 1       | 0379 0614 01 01 |     |                            |         |                 |
|     | (s) Blade                     | 2       | 0187 0719 00 00 |     |                            |         |                 |
|     | (t) Spring (3.55×31.5)        | 2       | 8020 1350 00 00 |     |                            |         |                 |
|     | (u) Liner Lower Plate(A)      | 1       | 0379 0426 00 01 |     |                            |         |                 |
|     | Liner Lower Plate(B) Assy.    | 1set    | 0379 0426 00 99 |     |                            |         |                 |
|     | (v) Liner Lower Plate(B)      | 1       | 0379 0426 00 02 |     |                            |         |                 |
|     | (w) Dowel Pin                 | 1       | 0188 0308 00 00 |     |                            |         |                 |
|     | (x) Adjust Bolt               | 1       | 0379 0522 00 00 |     |                            |         |                 |
|     | (y) O-Ring (N2)               | 1       | 9010 4001 00 00 |     |                            |         |                 |
|     | (z) Back-up Ring (3.2×5×1)    | 1       | 9090 1028 00 00 |     |                            |         |                 |
|     | (A1) Spring (1.9×2.5)         | 1       | 8020 1365 00 00 |     |                            |         |                 |
|     | (B1) Ball (2mm)               | 1       | 9150 1001 00 00 |     |                            |         |                 |
|     | (C1) Oil Plug                 | 2       | 0181 0010 00 00 |     |                            |         |                 |
|     | (D1) O-Ring (N2)              | 2       | 9010 4001 00 00 |     |                            |         |                 |
|     | (E1) O-Ring (P16)             | 1       | 9010 1047 00 00 |     |                            |         |                 |
|     | (F1) Back-up Ring (16×19.8×1) | 1       | 9090 1029 00 00 |     |                            |         |                 |

The part "※" can not be supplied individually. So please order it as a unit of assembly shown by arrow mark (↑).  
 ☆marked parts ; use one of them.