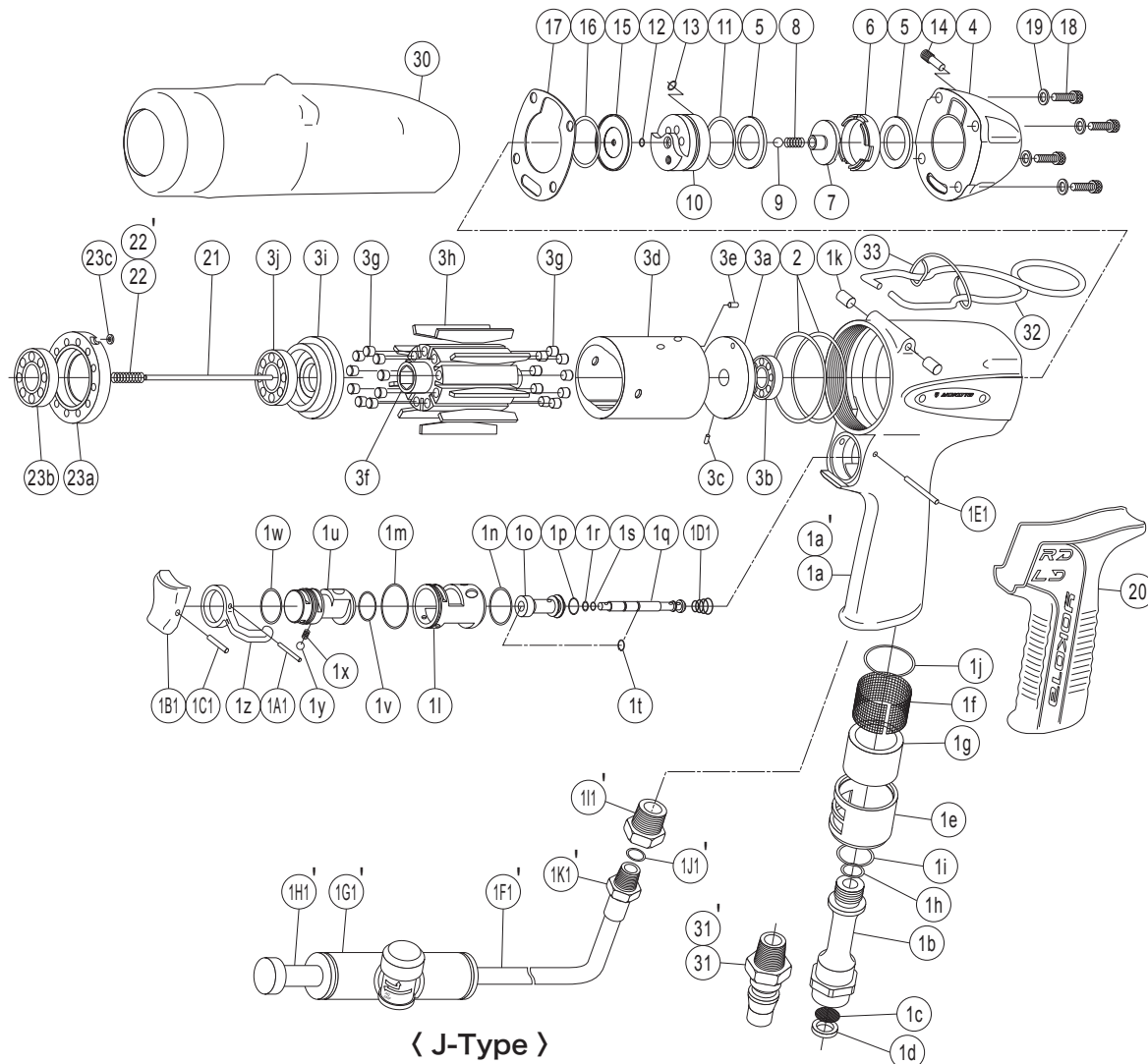


IMPULSE WRENCH

MODELS (YES.No.)	TOOL No.	MODELS (YES.No.)	TOOL No.
YLT140 (02)	0381 0000 0200	YLT140L (02)	0381 0000 0208
YLT140E (02)	0381 0000 0209	YLT140EL (02)	0381 0000 0284

Exploded View of Motor Case



Parts for Motor Case

No.	Name of Parts	Per Set	Parts No.	No.	Name of Parts	Per Set	Parts No.
1	Motor Case Assy.	1set	0381 0011 00 99	4	Motor Case Cover	1	0381 0001 00 00
	(a) Motor Case	1	※ ↑	5	Back-up Ring (19x26x1.5)	2	9090 1035 00 00
	Hose Joint Assy.	1set	0345 0113 00 99	6	Buffer Plate	1	0380 0297 00 00
	(b) Hose Joint	1	※ ↑	7	Shut Off Valve	1	0379 0295 00 00
	(c) Strainer	1	0259 0111 00 00	8	Spring (3.95x8.6)	1	8020 1387 00 00
	(d) Washer (7.5x11x2)	1	8042 2008 00 00	9	Ball (4mm)	1	9150 1005 00 00
	(e) Exhaust Cover	1	0380 0016 00 00	10	Shut Off Valve Bushing	1	0379 0296 01 00
	(f) Silencer Sheet (A)	1	0142 0032 00 01	11	O-Ring (S22)	1	9010 4011 00 00
	(g) Silencer Sheet (D)	1	0346 0032 00 04	12	O-Ring (N2)	1	9010 4001 00 00
	(h) O-Ring (S12)	1	9010 4005 00 00	13	O-Ring (1.4x2.16x4.96)	1	9010 6068 00 00
	(i) O-Ring (S16)	1	9010 4009 00 00	14	Valve Plug	1	0379 0298 00 00
	(j) O-Ring (S24)	1	9010 4012 00 00	15	Upper Plate Spacer	1	0379 0301 00 00
	(k) Spring Pin (5x8)	2	9250 2027 00 00	16	O-Ring (S22)	1	9010 4011 00 00
	Throttle Assy.	1set	0380 0186 00 99	17	S-Packing	1	0381 0003 00 00
	(l) Throttle Bushing	1	0341 0104 00 00	18	Hexagon Socket Bolt (M4x10)	4	8070 3159 00 00
	(m) O-Ring (0.7x21.5x22.9)	1	9010 6045 00 00	19	Washer (4x6.6x1.2)	4	8041 6016 00 00
	(n) O-Ring (S20)	1	9010 4010 00 00	20	Rubber Grip	1	0188 0144 00 00
	Throttle Rod Bushing Assy.	1set	0341 0105 00 99	21	Rod	1	0381 1368 01 00
	(o) Throttle Rod Bushing	1	※ ↑	22	Spring (5.1x22.1)	1	8020 1416 00 00
	(p) O-Ring (P10)	1	9010 1054 00 00	23	Lower Plate Spacer Assy.	1set	0381 0311 00 99
	Throttle Rod Assy.	1set	0341 0106 02 99		(a) Lower Plate Spacer	1	0381 0311 00 00
	(q) Throttle Rod	1	0341 0106 02 00		(b) Ball Bearing (6803)	1	9100 1061 00 00
	(r) O-Ring (0.5x3.7x4.7)	1	9010 6034 00 00		(c) Washer (WSSB4-2-2)	1	8041 6015 00 00
	(s) O-Ring (P4)	1	9010 1056 00 00	Parts for YLT140L·140EL			
	(t) Snap Ring (ETW-2.8)	1	9040 5008 00 00	22'	Spring (5.1x21.5)	1	8020 1417 00 00
	(u) Reverse Valve	1	0380 0005 00 00	Special Common Parts for J Type			
	(v) O-Ring (0.6x18x19.2)	1	9010 6046 00 00	1'	Motor Case Assy.	1set	0381 0011 02 98
	(w) O-Ring (S16)	1	9010 4009 00 00		(a) Motor Case(A)	1	※ ↑
	(x) Spring (3x4)	1	8020 1246 00 00	(F1) Tube (4x2.5x150mm)	1	9380 6037 00 00	
	(y) Ball (1/8)	1	9150 3009 00 00	(G1) Tube Joint	1	9643 4002 00 00	
	(z) Reverse Lever	1	0341 0007 00 00	(H1) Blank Plug	1	9641 3006 00 00	
	(A1) Spring Pin (2x12)	1	9250 1015 00 00	(I1) Bushing	1	0371 0728 01 00	
	(B1) Throttle Knob	1	0158 0153 00 00	(J1) O-Ring (1.19x1.78x4.16)	1	9010 6074 00 00	
	(C1) Spring Pin (1.5x14)	1	9250 1005 00 00	(K1) Straight One Touch Joint	1	9643 3004 00 00	
	(D1) Conical Spring (5.24x7.6x7)	1	8020 3070 00 00	Standard Accessories			
	(E1) Pin (2x25)	1	8055 1051 00 00	30	Protector	1	0381 0029 00 00
2	O-Ring (1.78x50.52x54.08)	2	9010 6073 00 00	31*	Touch Joint	1	9690 0002 00 00
3	Motor Assy.	1set	0381 0305 00 99	31'*	Hose Nipple Assy.(XA-352)	1set	8110 1004 00 99
	Upper Plate Assy.	1set	0381 0303 00 99	32	Hanger	1	0099 0017 00 00
	(a) Upper Plate	1	0381 0303 00 00	33	Hanger Clip	1	0190 1801 00 00
	(b) Ball Bearing (6900CM)	1	9102 1001 00 00		Hex. Wrench (H1.5x65x65)	1	9610 1012 00 00
	(c) Pin (2x5)	1	8055 1040 00 00		Hex. Wrench (H5/32)	1	9610 3008 00 00
	Cylinder Assy.	1set	0381 0304 00 99				
	(d) Cylinder	1	※ ↑				
	(e) Pin (2.5x6)	1	8055 1053 00 00				
	(f) Rotor	1	0381 0305 00 00				
	(g) blind Cap	18	0380 0018 00 00				
	(h) Vane	9	0381 0306 01 00				
	Lower Plate Assy.	1set	0381 0307 00 99				
	(i) Lower Plate	1	0381 0307 00 00				
	(j) Ball Bearing (6903CM)	1	9102 1018 00 00				

The part "※" can not be supplied individually. So please order it as a unit of assembly shown by arrow mark (↑).
☆marked parts ; use one of them.

