

Parts for Motor Case

No.	Name of Parts	Per Set	Parts No.
M	Motor Case Assy.	1set	0192 0011 00 99
M1	Motor Case (1) Assy.	1set	0192 0011 00 69
A1	Motor Case (2) Assy.	1set	0186 0011 00 68
	(a) Motor Case	1	※ ↑
	Holder Assy.	1set	0181 0717 01 99
	(b) Holder	1	0168 0717 00 00
	Cable Assy.	1set	※ ↑
	(c) Connector (R05-JB8M)	1	※ ↑
	(d) Cable (820mm)	1	※ ↑
	(e) Shrinkage Tube (W3B2 16/4 35mm)	1	※ ↑
	(f) O-Ring (P8)	3	9010 1048 00 00
	(g) Washer (7.3×11.1×1.5)	2	8040 1151 00 00
	(h) Lock Bolt	1	0270 0666 00 00
	(i) Shrinkage Tube (W3B2 16/4 35mm)	1	9380 5014 00 00
	(j) Shrinkage Tube (φ3×8)	1	9380 5036 00 00
	(k) Shrinkage Tube (φ1.5×8)	4	9380 5028 00 00
	(l) Micro Connector (PM-10) 4 Cores	1	8500 2004 00 00
	(m) Shrinkage Tube (φ5×8)	1	9380 5035 00 00
	(n) Micro Connector (PM-10) 2 Cores	1	8500 2002 00 00
	(o) Cord Cover	1	0181 0948 00 00
A2	Spring Pin (6×10)	1	9250 1082 00 00
A3	Hose Joint Assy.	1set	0192 0113 00 99
	(a) Hose Joint	1	※ ↑
	(b) Strainer	1	0259 0111 00 00
	(c) Washer (7.5×11×2)	1	8042 2008 00 00
A4	Exhaust Cover	1	0334 0016 00 00
A5	Silencer Sheet (A)	1	0141 0032 00 01
A6	Silencer Sheet	1	0334 0032 00 00
A7	Silencer Sheet (B)	1	0168 0032 00 02
A8	Silencer Sheet (C)	1	0181 0032 00 03
A9	O-Ring (S10)	1	9010 4004 00 00
A10	O-Ring (S16)	1	9010 4009 00 00
A11	O-Ring (1×20×22)	1	9010 6043 00 00
A12	Throttle Assy.	1set	0181 0186 02 99
	(a) Throttle Bushing	1	0181 0104 00 00
	(b) O-Ring (0.7×17.8×19.2)	1	9010 6030 00 00
	(c) O-Ring (S16)	1	9010 4009 00 00
	Throttle Valve Assy.	1set	0181 0108 01 99
	(d) Throttle Valve	1	※ ↑
	(e) Rubber Pad	1	2331 0678 00 00
	(f) Spring (3.4×9.7)	1	8020 1345 00 00
	(g) Throttle Bushing Cap	1	2331 0160 00 00
	(h) Ball (3.5mm)	1	9150 2006 00 00
	(i) Reverse Valve	1	0181 0005 01 00
	(j) O-Ring (0.8×13.5×15.1)	1	9010 6031 00 00
	(k) O-Ring (S12.5)	1	9010 4006 00 00
	(l) Throttle Rod	1	0181 0106 01 00
	(m) O-Ring (0.5×3.7×4.7)	1	9010 6034 00 00
	(n) Reverse Lever	1	2331 0007 00 00
	(o) Spring Pin (2×12)	1	9250 1015 00 00
	(p) Throttle Knob	1	0158 0153 00 00

The part "※" can not be supplied individually.

So please order it as a unit of assembly shown by arrow mark (↑).

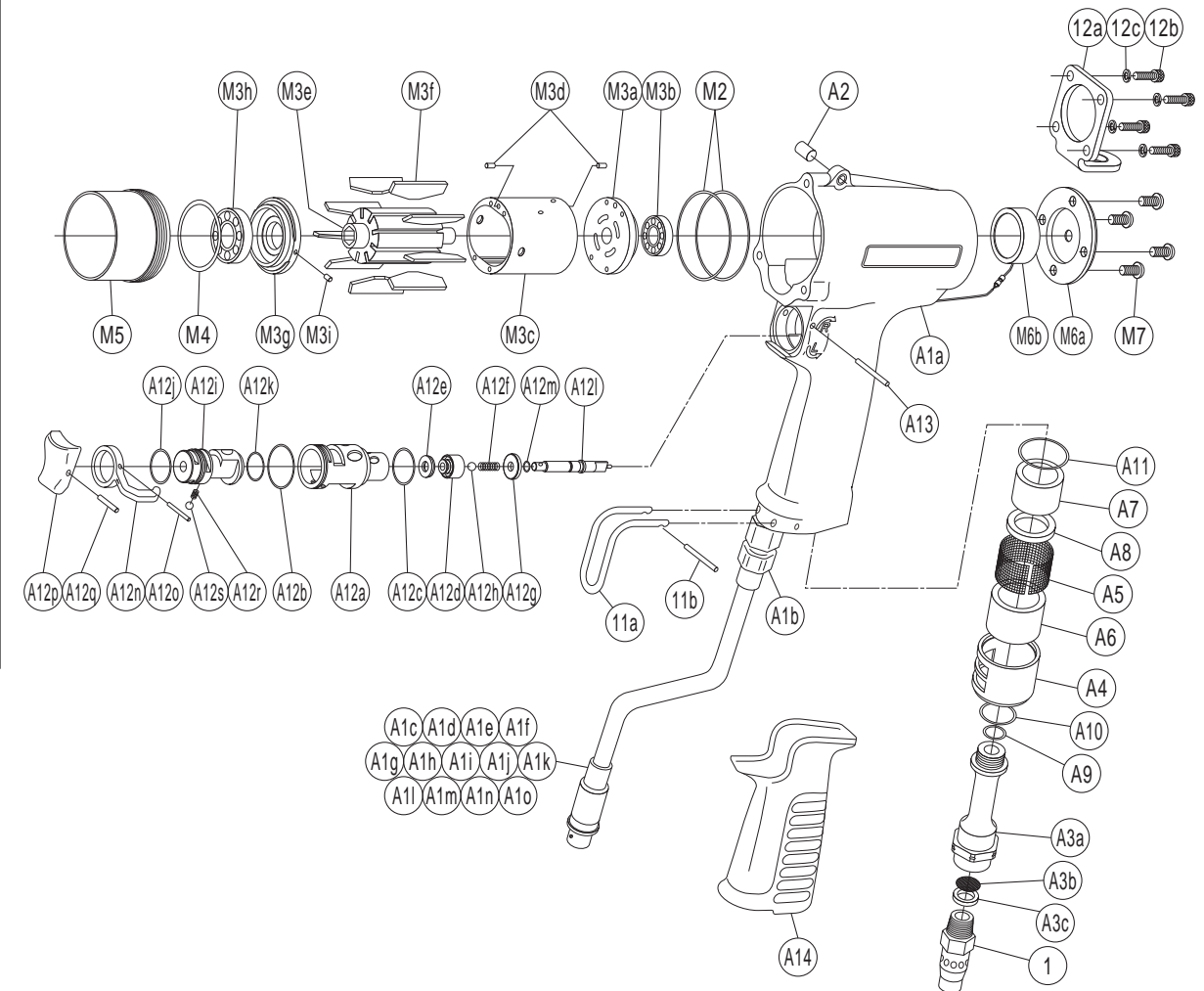
No.	Name of Parts	Per Set	Parts No.
	(q) Spring Pin (1.5×14)	1	9250 1005 00 00
	(r) Spring (3×4)	1	8020 1246 00 00
	(s) Ball (1/8)	1	9150 3009 00 00
A13	Pin (2×22)	1	8055 1050 00 00
A14	Rubber Grip	1	0158 0144 00 00
M2	O-Ring (JASO1033)	2	9011 3004 00 00
M3	Motor Assy.	1set	0186 0305 00 99
	Upper Plate Assy.	1set	0186 0303 00 99
	(a) Upper Plate	1	0186 0303 00 00
	(b) Ball Bearing (697MC2)	1	9102 3001 00 00
	Cylinder Assy.	1set	0186 0304 00 99
	(c) Cylinder	1	※ ↑
	(d) Pin (2×5)	2	8055 1040 00 00
	(e) Rotor	1	0186 0305 00 00
	(f) Vane	9	0186 0306 00 00
	Lower Plate Assy.	1set	0186 0307 00 99
	(g) Lower Plate	1	0186 0307 00 00
	(h) Ball Bearing (6901CM)	1	9102 1003 00 00
	(i) Pin (2×4)	1	8673 2001 00 00
M4	ST-Packing (27.15×31.1×0.2)	1	8011 1008 00 00
M5	Lower Plate Spacer	1	0186 0311 00 00
M6	Motor Case Cover Assy.	1set	0181 0001 02 99
	(a) Motor Case Cover	1	0181 0001 03 00
	(b) Buzzer Assy.	1set	0181 0903 02 99
M7	Cross Recessed Screw (M4×8)	4	9410 2030 00 00
1	Touch Joint (1/4)	1	9690 0007 00 00
Optional Accessories			
11	Hanger (A) Assy.	1set	0186 0017 00 99
	(a) Hanger (A)	1	0186 0017 00 01
	(b) Spring Pin (2.5×22)	1	9250 1102 00 00
12	Hanger (B) Assy.	1set	0181 0017 00 98
	(a) Hanger (B)	1	0181 0017 00 02
	(b) Hexagon Socket Bolt (M4×16)	4	8070 3112 00 00
	(c) Spring Washer (M4)	4	9200 3012 00 00

yokota
FA SYSTEM & AIR TOOLS

With built-in torque sensor 2BLADE·SYSTEM WRENCH

MODEL (YES.No.)	TOOL No.
TKa60 (00)	0192 0000 0000
TKa60A (00)	0192 0000 0001

Exploded View of Motor Case



Parts for Liner Case

No.	Name of Parts	Per Set	Parts No.
L	Liner Case Assy.	1set	0186 0422 01 99
L1	Liner Case	1	0186 0422 01 00
L2	O-Ring (1.78x29.87x33.43)	1	9011 2003 00 00
L3	Liner Cap	1	0186 0423 00 00
L4	Liner Upper Plate	1	0186 0424 00 00
L5	O-Ring (JASO1026)	1	9011 3003 00 00
L6	Liner Assy.	1set	0186 0425 00 99
	(a) Liner	1	※ ↑
	(b) Pin FF (2x4.8)	4	8052 1041 00 00
L7	Relief Valve	1	0186 0245 01 00
L8	Pin (1.5x4)	1	8051 1314 00 00
L9	Liner Shaft	1	0186 0796 00 00
L10	Blade	2	0088 0719 03 00
L11	Spring (3.1x23)	2	8020 1349 00 00
L12	Liner Lower Plate Assy.	1set	0186 0426 00 99
	(a) Liner Lower Plate	1	※ ↑
	(b) Pin (3x5)	1	8052 1031 00 00
L13	Adjust Bolt	1	0193 0522 00 00
L14	O-Ring (N2)	1	9010 4001 00 00
L15	Back-up Ring (N2)	1	9090 2001 00 00
L16	Nylon Bushing	1	0181 0431 00 00
L17	Oil Plug	2	0181 0010 00 00
L18	O-Ring (N2)	2	9010 4001 00 00
L19	O-Ring (P12)	1	9011 7001 00 00
L20	Back-upRing (12x16x0.8)	1	9090 1010 00 00
2	Washer (12x15.8x4.8)	1	8040 1165 00 00
★ 3	Washer (11.5x16x0.2)	1	8041 5046 00 00
★ 4	Washer (11.5x16x0.3)	1	8041 5026 00 00
★ 5	Washer (11.5x16x0.4)	1	8041 5065 00 00
★ 6	Washer (11.5x16x0.5)	1	8041 5022 00 00

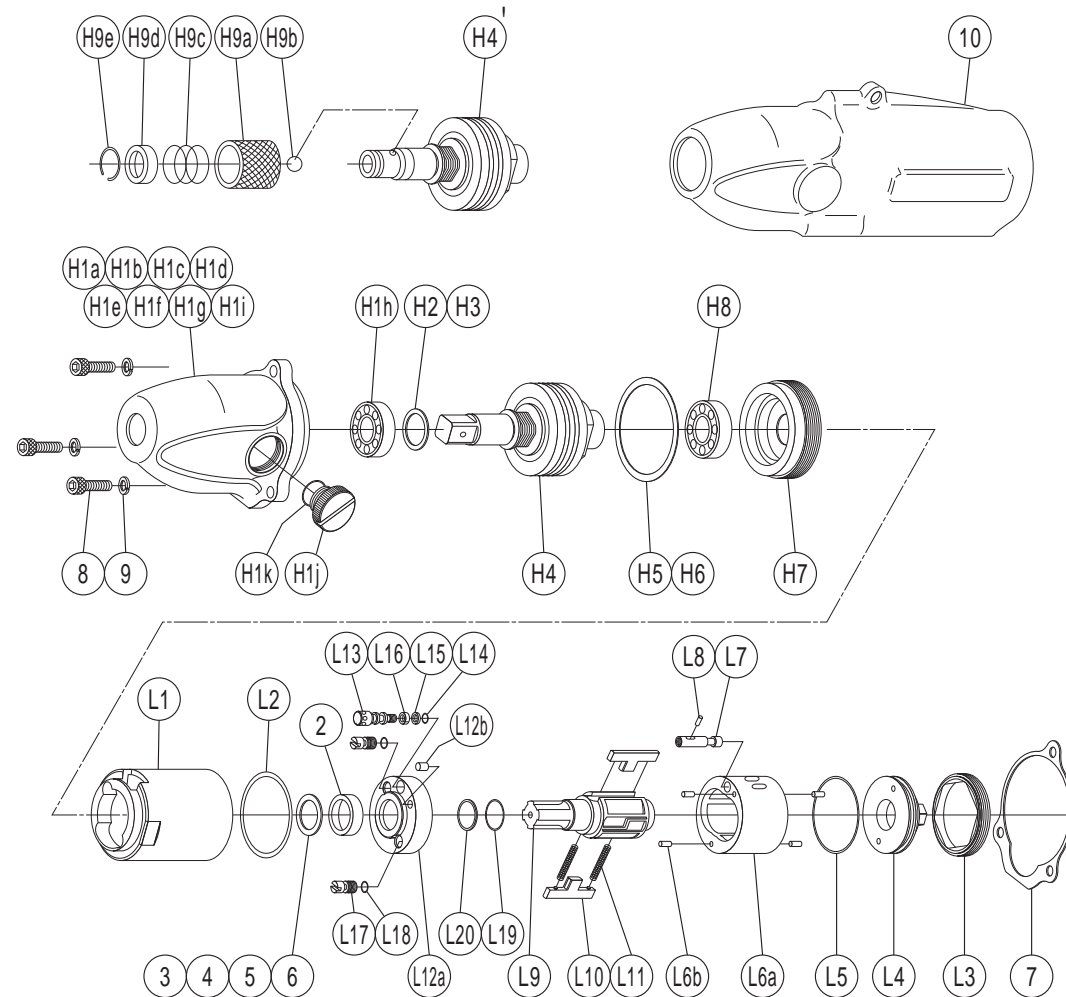
The part “※” can not be supplied individually.
So please order it as a unit of assembly shown by arrow mark(↑).

★Marked parts may not be used, in some case.

With built-in torque sensor 2BLADE·SYSTEM WRENCH

MODEL (YES.No.)	TOOL No.
TKa60 (00)	0192 0000 0000
TKa60A (00)	0192 0000 0001

Exploded View of Liner Case and Hammer Case



Parts for Hammer Case

No.	Name of Parts	Per Set	Parts No.
H	Hammer Case Assy.	1set	0192 0401 01 99
H1	Hammer Case (1) Assy.	1	0186 0401 01 69
	(a) Hammer Case	1	※ ↑
	(b) Core (A) Assy.	1set	※ ↑
	(c) Core (C)	2	※ ↑
	(d) Spacer (A)	1	※ ↑
	(e) Core (D) Assy.	1set	※ ↑
	(f) Set Screw (M4x3)	1	※ ↑
	(g) Shrinkage Tube (φ1.5x8)	4	※ ↑
	(h) Ball Bearing (6801ZZ)	1	9100 5028 00 00
	(i) Off-Set Connector Assy.	1set	0181 1553 00 99
	(j) Regulator Cap	1	0181 0204 00 00
	(k) O-Ring (S10)	1	9010 4004 00 00
★H2	ST-Packing (12.5x16x0.1)	1	8011 1084 00 00
★H3	ST-Packing (12.5x16x0.2)	1	8011 1011 00 00
H4	Main Shaft Assy.	1set	0192 0614 01 99
★H5	C-Packing (35x40.5x0.1)	1	8010 1291 00 00
★H6	C-Packing (35x40.5x0.2)	1	8010 1292 00 00
H7	Bearing Case	1	0186 0650 01 00
H8	Ball Bearing (6802ZZ)	1	9100 5037 00 00
7	S-Packing	1	0186 0003 00 00
8	Hexagon Socket Bolt (M4x12)	3	8070 3059 00 00
9	Spring Washer (M4)	3	9200 3012 00 00

Parts for TKa60A

H'	Hammer Case Assy.	1set	0192 0401 01 89
H1'	Hammer Case (1) Assy.	1set	0186 0401 01 69
H4'	Main Shaft Assy. (A-type)	1set	0192 0614 01 89
H9	Bit Chuck Assy.	1set	2057 0414 00 99
	(a) Bit Chuck	1	2057 0414 00 00
	(b) Ball (1/8)	1	9150 3009 00 00
	(c) Spring (13.5x10)	1	8020 1340 00 00
	(d) Spring Washer	1	2331 0419 00 00
	(e) Retaining Ring (10x1)	1	8030 1009 00 00

Standard Accessories

	TF Pin (2x90)	1	8051 6001 00 00
	Hanger Ring	1	0217 0018 00 00
10	Protector	1	0186 0029 00 00

The part “※” can not be supplied individually.
So please order it as a unit of assembly shown by arrow mark(↑).

★Marked parts may not be used, in some case.