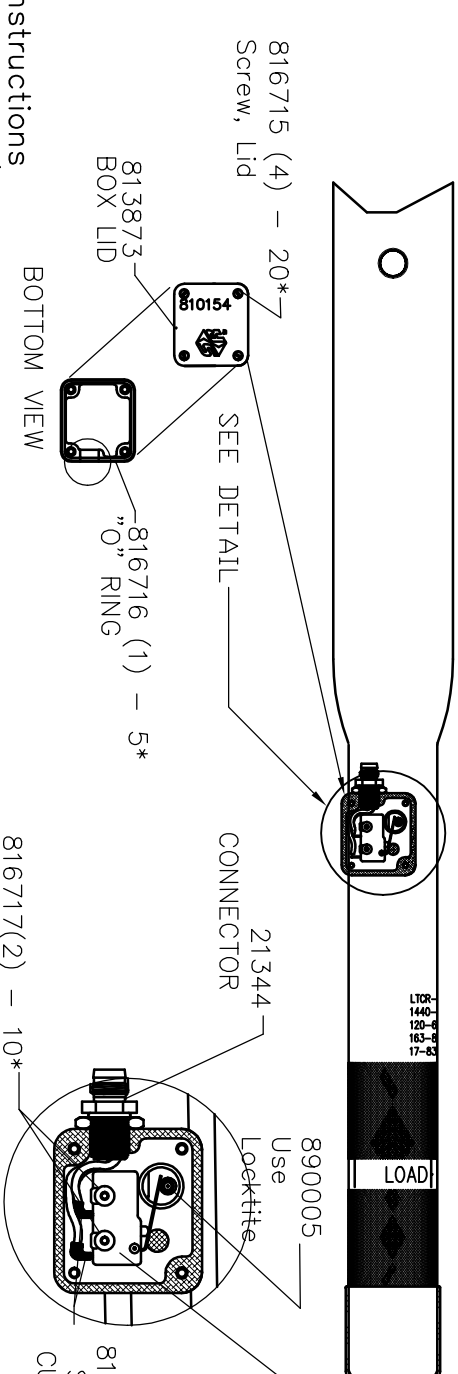
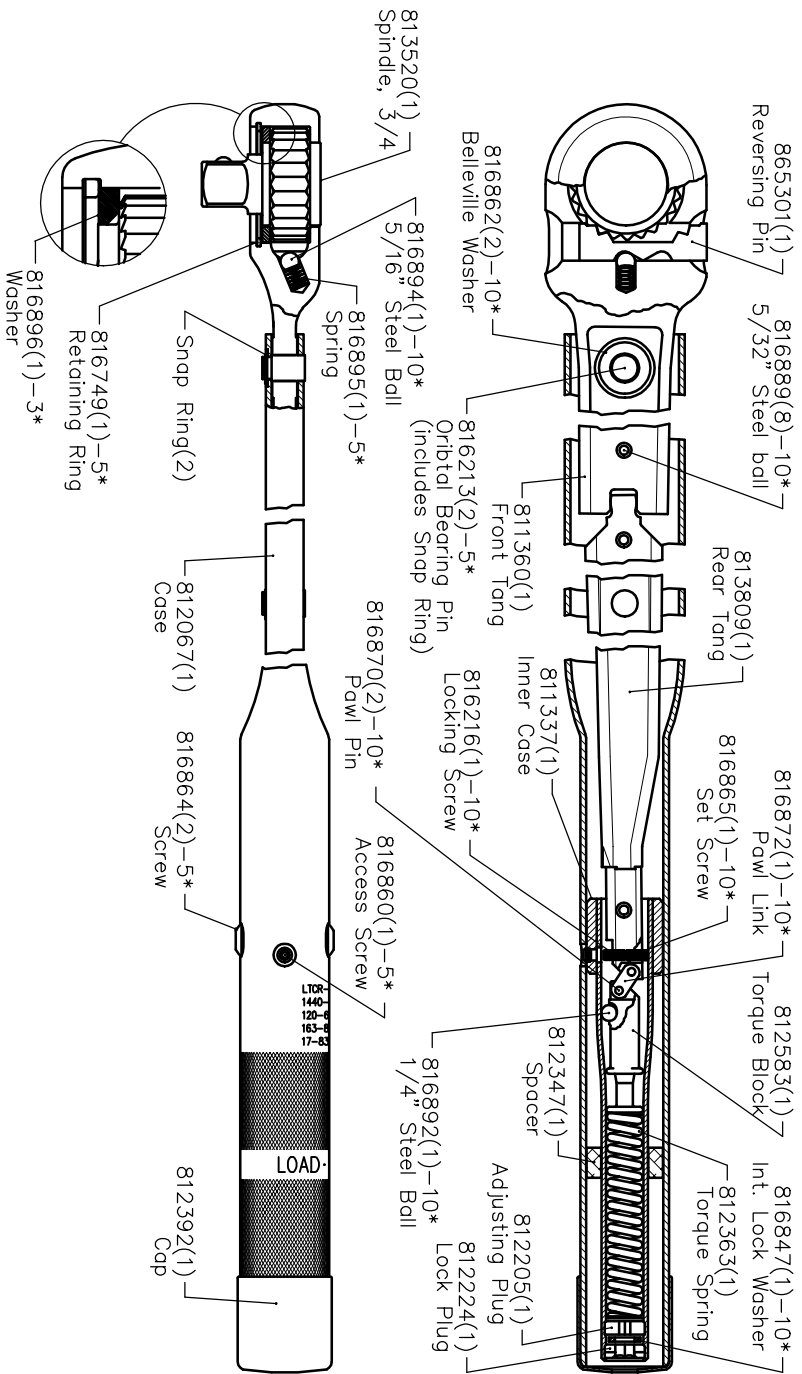


NOTE: INTERFACING CABLES HAVE ELECTRICAL RATING 60 VAC/75VDC AND HOLD A MAXIMUM OF 3 AMPS.



816715 (4) - 20*
Screw, Lid

813873
BOX LID

816716 (1) - 5*
"O" RING

810154
CONNECTOR

21344

890005
Use
Locktite

21012
SWITCH

816765 (2 Plc's)
SHRINK TUBING
CUT TO DESIRED
LENGTH

BOTTOM VIEW

LEGEND: () = Quantity/Tool
* = Quantity/Multi-Pak

857010—Service Instructions
816999—Ratchet Renewal Kit (Includes Spindle, Reversing Pin, Washer, Retaining Ring, Spring, & Ball)
811359—Ratchet Tang Ass'y. (Includes Ratchet Renewal Kit & Tang)
811240—Rear Tang Ass'y. (Includes Tang & Adj. screw)



THIS PRINT AND ALL INFORMATION APPEARING THEREON IS THE PROPERTY OF "STURTEVANT/RICHMONT". NEITHER THE PRINT NOR THE INFORMATION THEREON MAY BE REPRODUCED OR USED IN ANY MANNER WHATSOEVER BY "STURTEVANT/RICHMONT".

PART DESCRIPTION
SLICR 72001-CT 3/4" (IN./LBS)

DIAGRAM NO. & REV.
810860-E