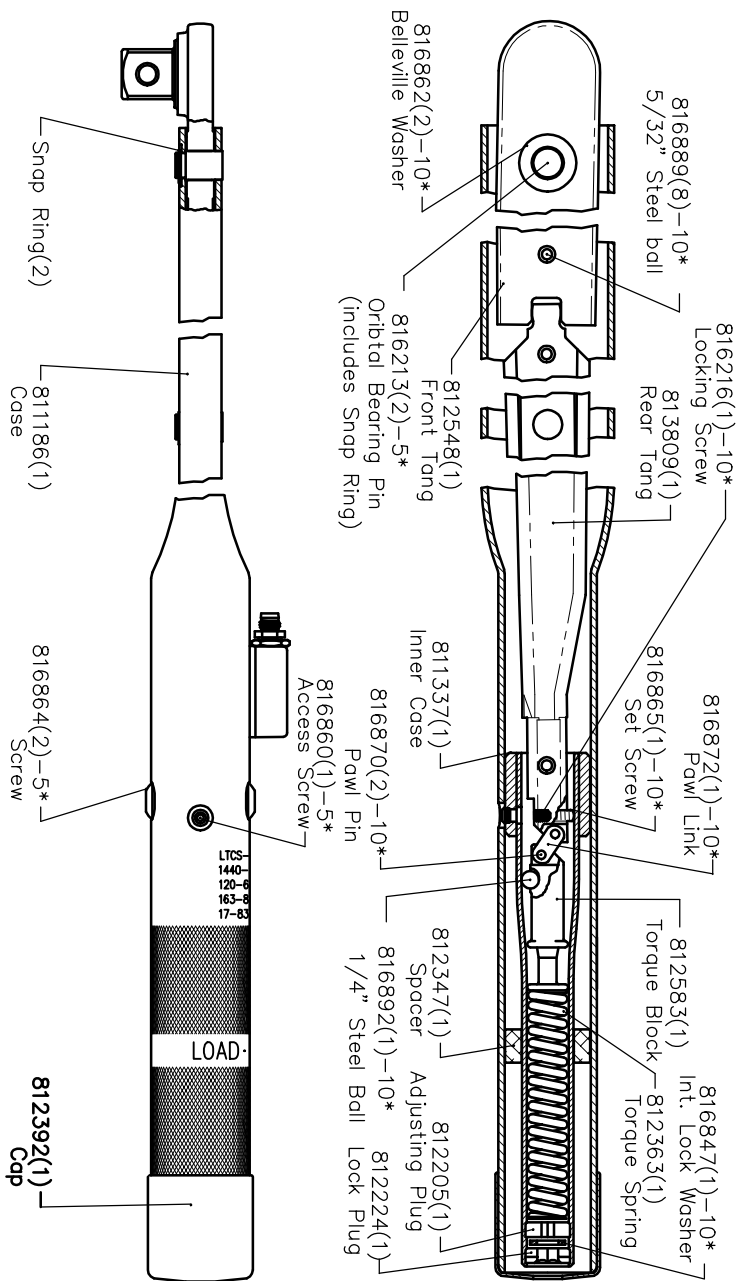
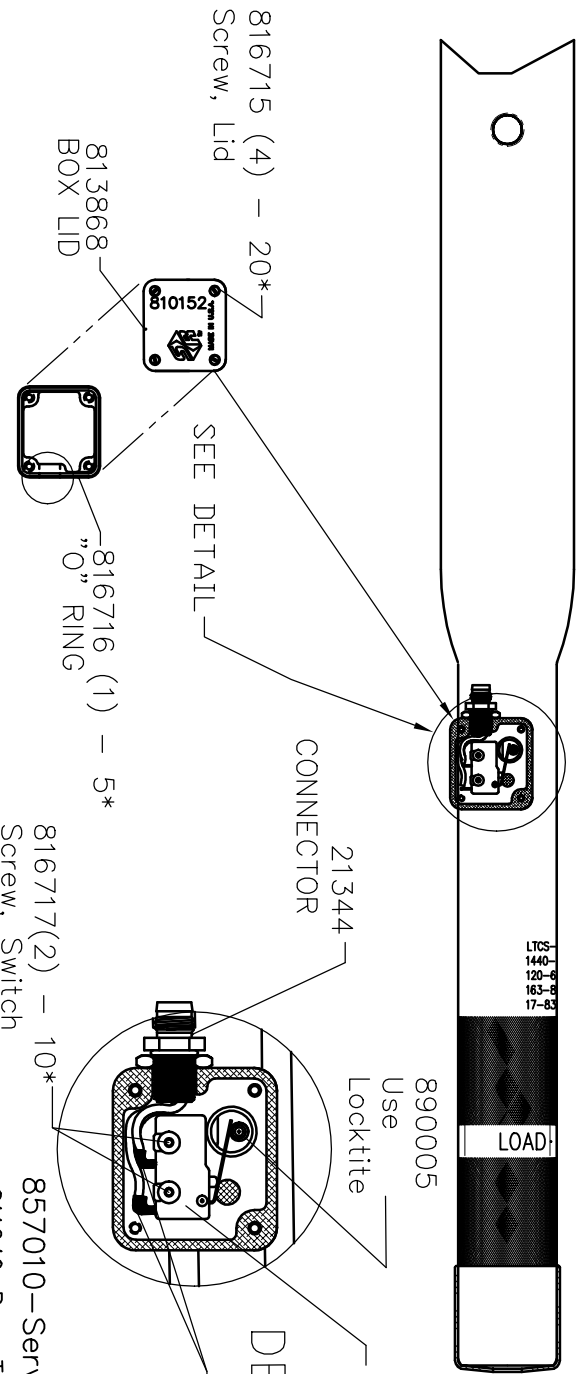


NOTE: INTERFACING CABLES HAVE ELECTRICAL RATING 60 VAC/75VDC AND HOLD A MAXIMUM OF 3 AMPS.



LEGEND: () = Quantity/Tool
 * = Quantity/Multi-Pak



816765 (2 Plc's) SHRINK TUBING CUT TO DESIRED LENGTH

BOTTOM VIEW

THIS PRINT AND ALL INFORMATION APPEARING THEREON IS THE PROPERTY OF "STURTEVANT/RICHMONT". NEITHER THE PRINT NOR THE INFORMATION THEREON MAY BE REPRODUCED OR USED IN ANY MANNER WHATSOEVER OR DIVULGED TO ANY OTHER PERSON UNLESS SPECIFICALLY AUTHORIZED BY "STURTEVANT/RICHMONT".

PART DESCRIPTION
 SLICES 72001-CT 3/4" (IN./LBS)

DIAGRAM NO. & REV.
 810859-E



DIVISION OF RYESON CORPORATION