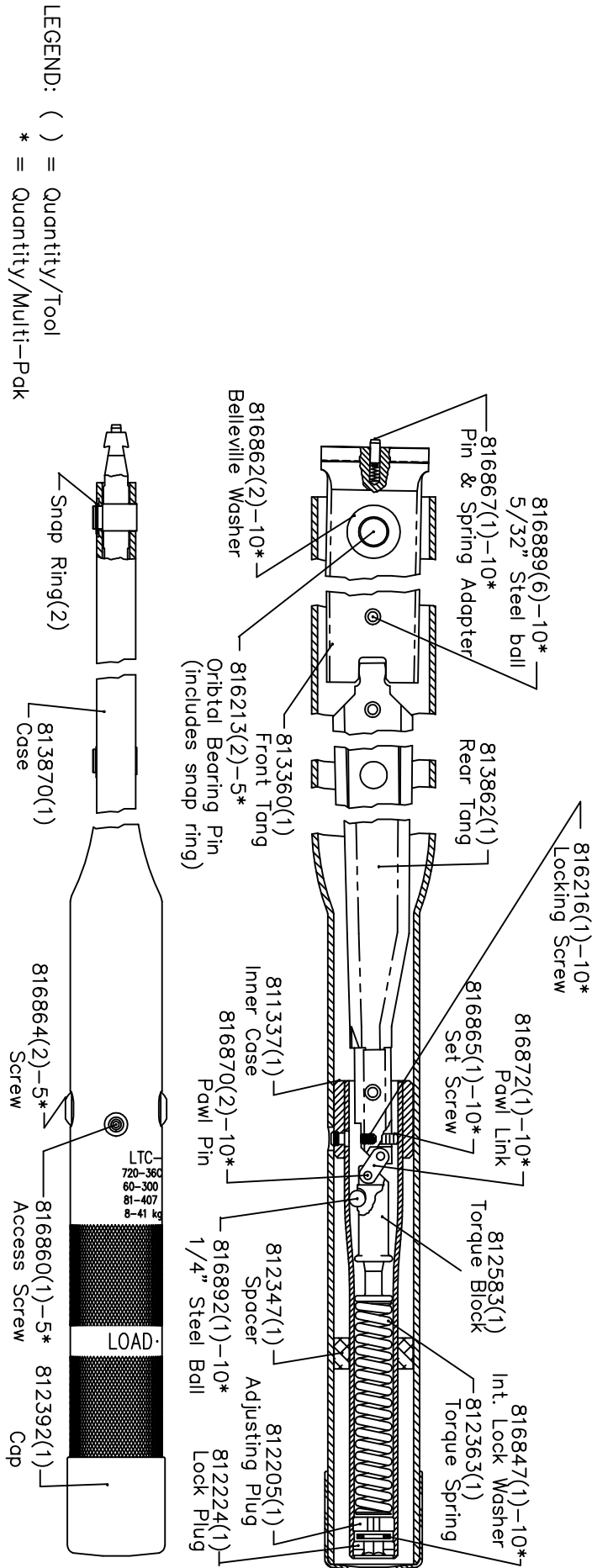
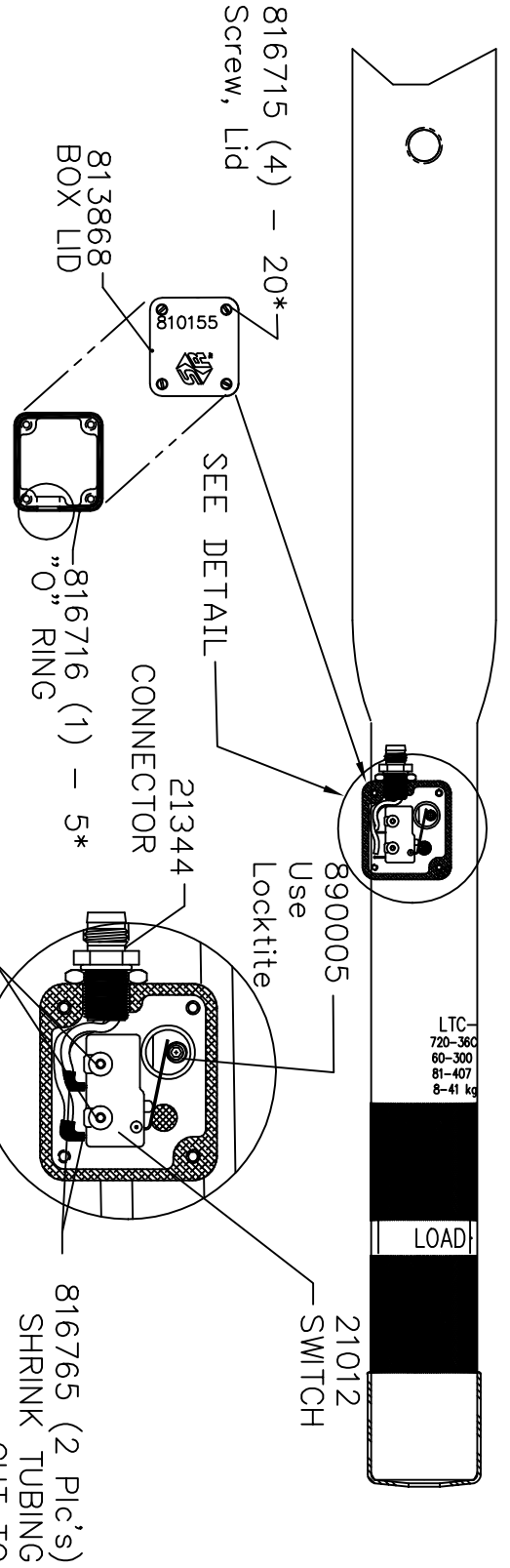


NOTE: INTERFACING CABLES HAVE ELECTRICAL RATING 60 VAC/75VDC AND HOLD A MAXIMUM OF 3 AMPS.



LEGEND: () = Quantity/Tool
 * = Quantity/Multi-Pak



BOTTOM VIEW

857010—Service Instructions
 811077—Front Tang Ass'y. (Includes Tang & Pin & spring adapter)
 811241—Rear Tang Ass'y. (Includes Tang & Adj. screw)



THIS PRINT AND ALL INFORMATION APPEARING THEREON IS THE PROPERTY OF "STURTEVANT/RICHMONT". NEITHER THE PRINT NOR THE INFORMATION THEREON MAY BE REPRODUCED OR USED IN ANY MANNER WHATSOEVER OR DIVULGED TO ANY OTHER PERSON UNLESS SPECIFICALLY AUTHORIZED BY "STURTEVANT/RICHMONT".

PART DESCRIPTION SLTC 3600-CT (IN./LBS) DIAGRAM NO. & REV. 810858-D