

21487 (1)
 RADIO KIT 2.4GHz;
 AAA FOR SLTC-FM
 WRENCHES
 21487 (1)
 RADIO KIT 2.4GHz; AAA FOR SLTC-FM WRENCHES
 (INCLUDES AAA BATTERY HOUSING UPPER & LOWER
 COVERS, BATTERY HOUSING LID, RADIO 2.4MGH AAA,
 RUBBER WASHERS, SCREW PAN HEAD, LITEPIPE &
 SPRING CLIP, PCB INSOLATION, SLTC LABEL, & AAA
 BATTERY)

NOTES:

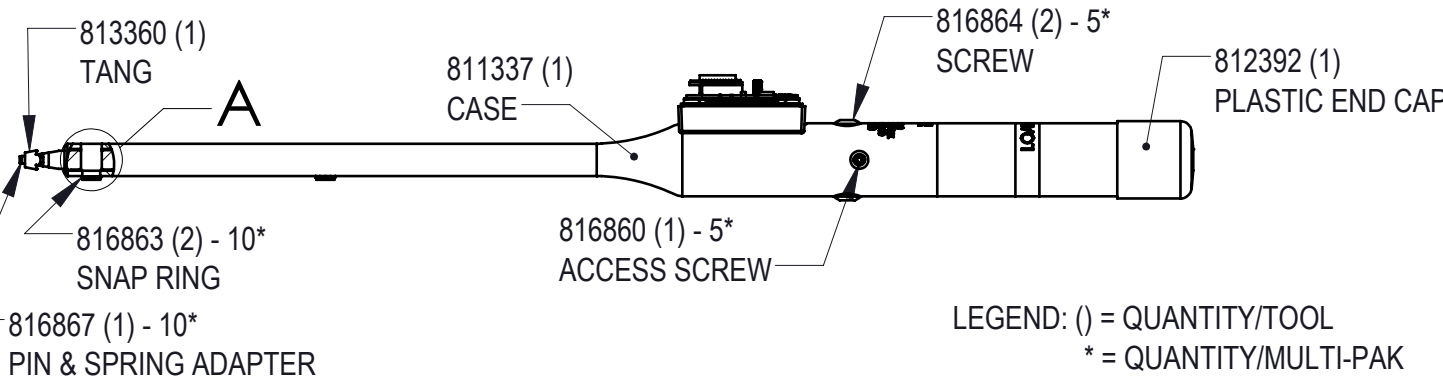
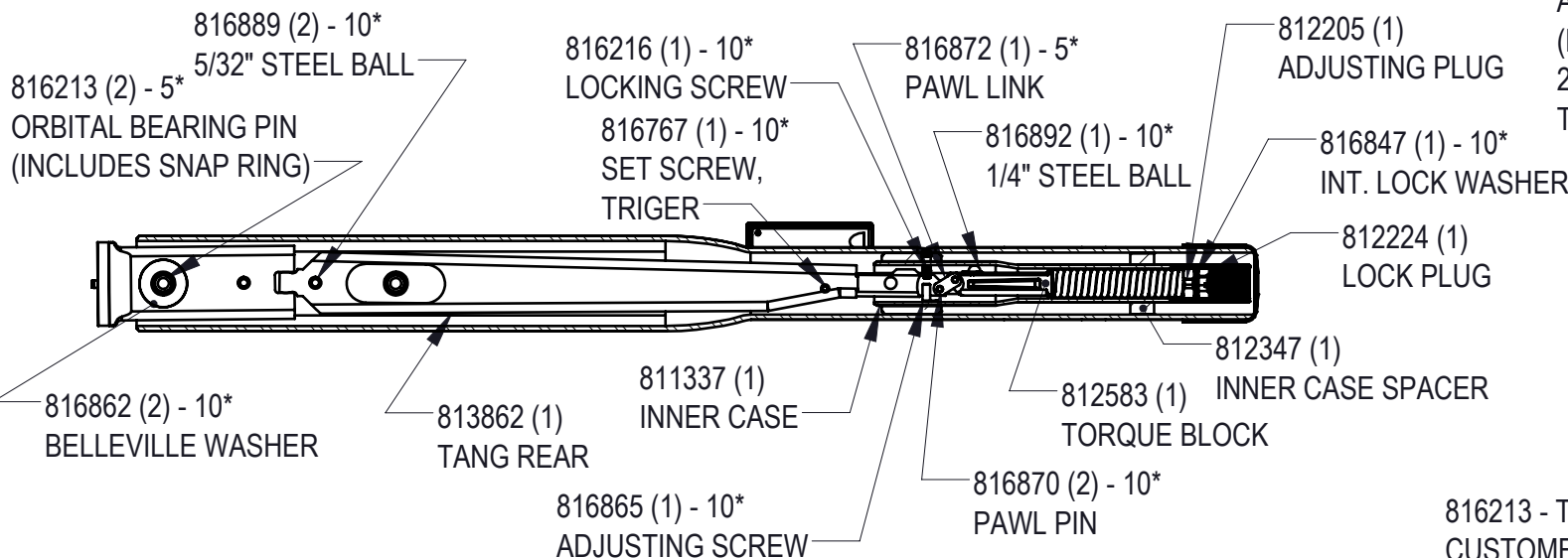
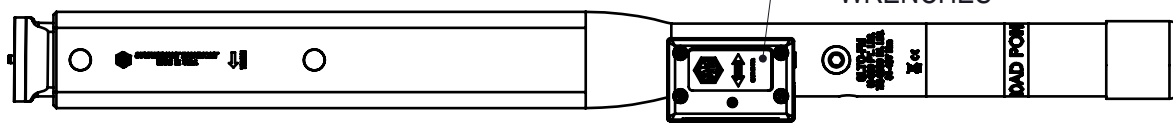
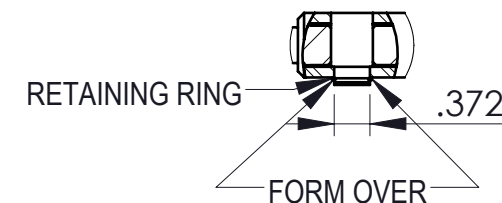
1. TIGHTEN TO 1.5-2.5 IN. LBS. AND
 APPLY A DROP OF ADHESIVE
 (PERMA-LOK MM115 OR LOCTITE
 262) TO SET SCREW (890104) PRIOR
 TO ASSEMBLY INTO TANG (813360)

WARNING: ONLY USE NiMH
 AAA RECHARGEABLE
 BATTERIES. OTHER
 BATTERIES CAN CAUSE
 DAMAGE TO THE RADIO AND
 IMPACT THE RADIO SIGNAL

820035 - CARTON
 857331 - INSTRUCTION

816213 - THIS PIN IS FORMED OVER
CUSTOMER MUST GRIND OFF FORMED END
 & INSTALL THIS PIN FORMING THE HEAD
 OVER THE RETAINING RING AS SHOWN

DETAIL A
 SCALE 1 : 2
 DEFORM BEFORE
 CALIBRATION



LEGEND: () = QUANTITY/TOOL
 * = QUANTITY/MULTI-PAK