

21487 (1)
RADIO KIT 2.4GHZ;
AAA FOR SLTC-FM
WRENCHES

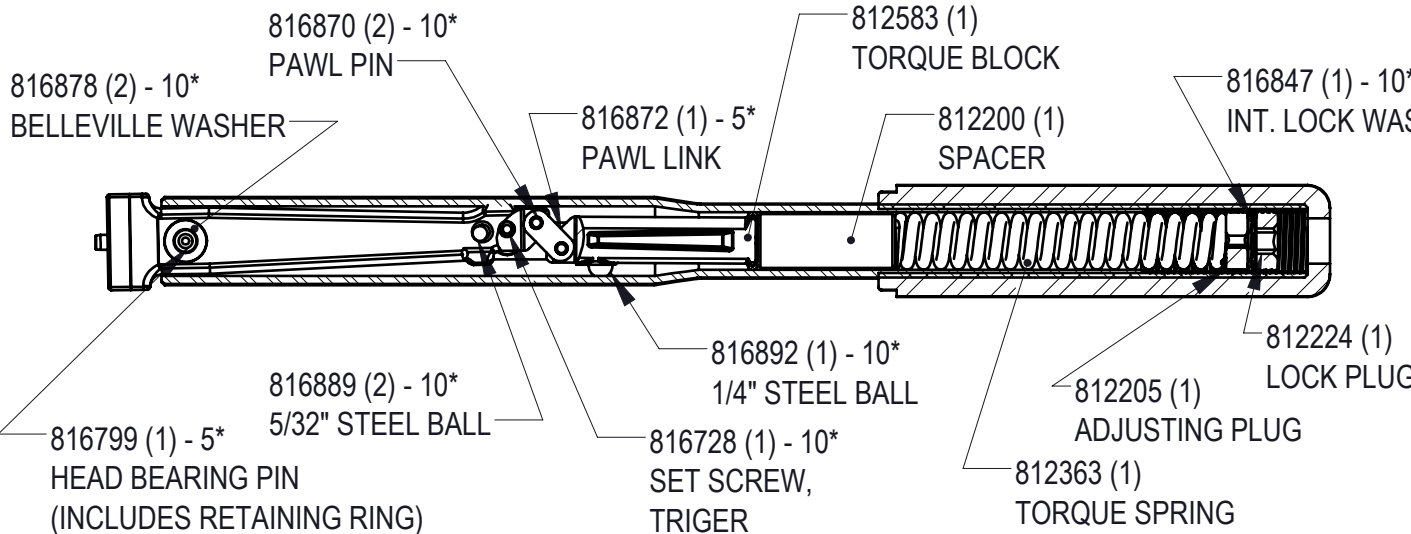
21487 (1)
RADIO KIT 2.4GHZ; AAA FOR SLTC-FM
WRENCHES
(INCLUDES AAA BATTERY HOUSING UPPER
& LOWER COVERS, BATTERY HOUSING LID,
RADIO 2.4MGH AAA, RUBBER WASHERS (4),
SCREW PAN HEAD (2), LITEPIPE & SPRING
CLIP, PCB INSULATION, SLTC LABEL, & AAA
BATTERY

NOTES:

1. TIGHTEN TO 1.5-2.5 IN. LBS. AND
APPLY A DROP OF ADHESIVE (PERMA-
LOK MM15 OR LOCTITE 262) TO SET
SCREW (890105) PRIOR TO ASSEMBLY
INTO TANG (813329)

WARNING: ONLY USE NiMH AAA
RECHARGEABLE BATTERIES. OTHER
BATTERIES CAN CAUSE DAMAGE TO RADIO
AND IMPACT RADIO SIGNAL

816799 - THIS PIN IS FORMED OVER
CUSTOMER MUST GRIND OFF FORMED END
& INSTALL THIS PIN FORMING THE HEAD
OVER THE RETAINING RING AS SHOWN



816878 (2) - 10*
BELLEVILLE WASHER

816870 (2) - 10*
PAWL PIN

816872 (1) - 5*
PAWL LINK

812583 (1)
TORQUE BLOCK

812200 (1)
SPACER

816847 (1) - 10*
INT. LOCK WASHER

816889 (2) - 10*
5/32" STEEL BALL

816892 (1) - 10*
1/4" STEEL BALL

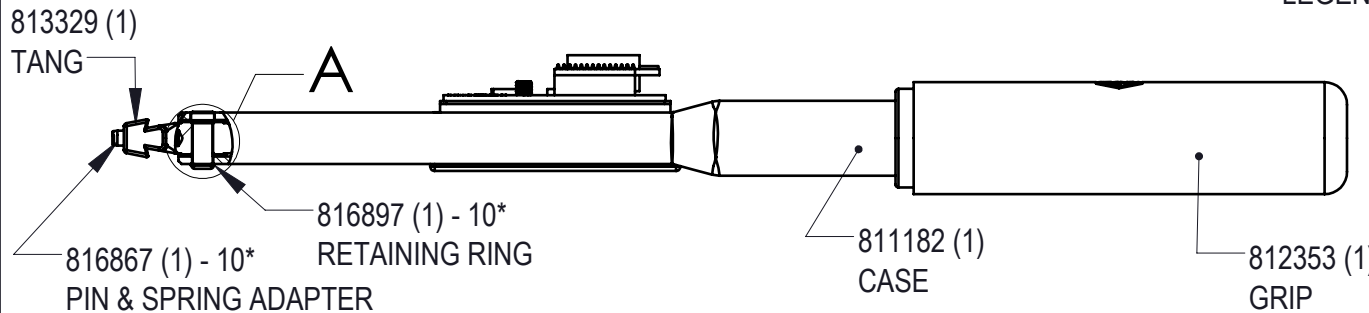
812224 (1)
LOCK PLUG

816799 (1) - 5*
HEAD BEARING PIN
(INCLUDES RETAINING RING)

816728 (1) - 10*
SET SCREW,
TRIGGER

812205 (1)
ADJUSTING PLUG

812363 (1)
TORQUE SPRING



813329 (1)
TANG

A

816867 (1) - 10*
RETAINING RING
PIN & SPRING ADAPTER

811182 (1)
CASE

812353 (1)
GRIP

LEGEND: () = QUANTITY/TOOL
* = QUANTITY/MULTI-PAK

DETAIL A
SCALE 1 : 1
DEFORM BEFORE
CALIBRATION

857005 - CARTON
857330 - INSTRUCTIONS

