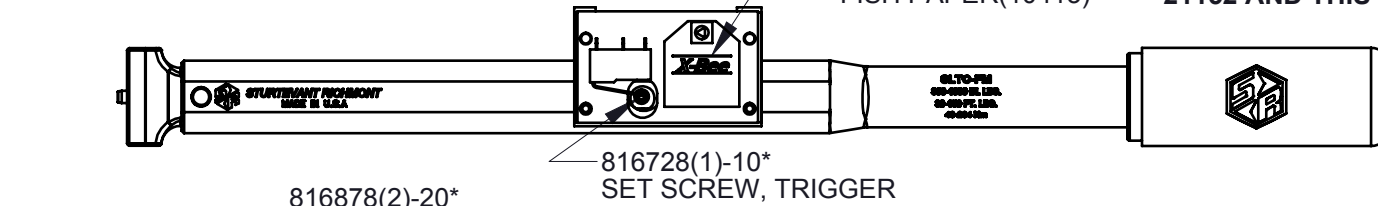


PART OF 21151 (TORQUE 1.5-2.5 INLBs) 890030(2). ORDER SCREW SEPARATELY AS 816726.

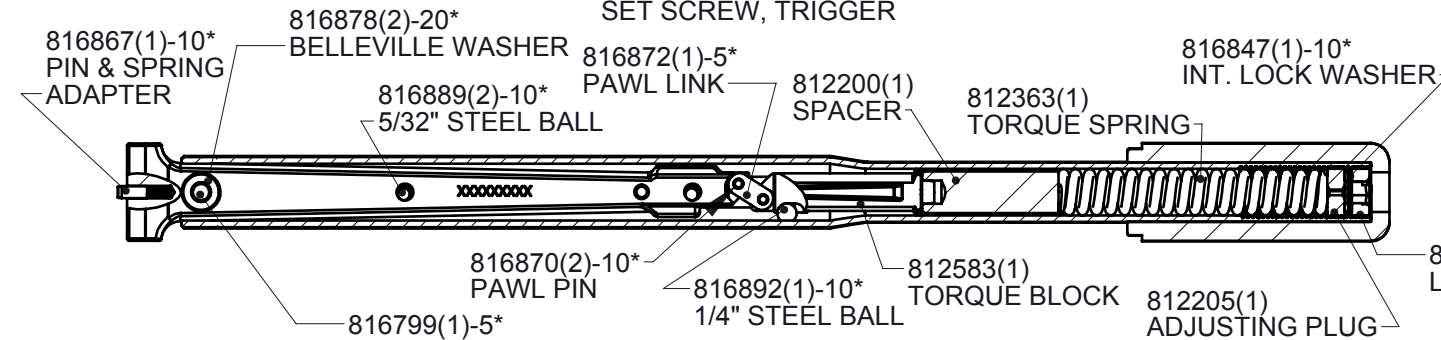
21370 PC BOARD w/ BATTERY(21339) & FISH PAPER(10413)

WARNING: DO NOT MIX BATTERY TYPES BETWEEN 21152 AND THIS PCB!

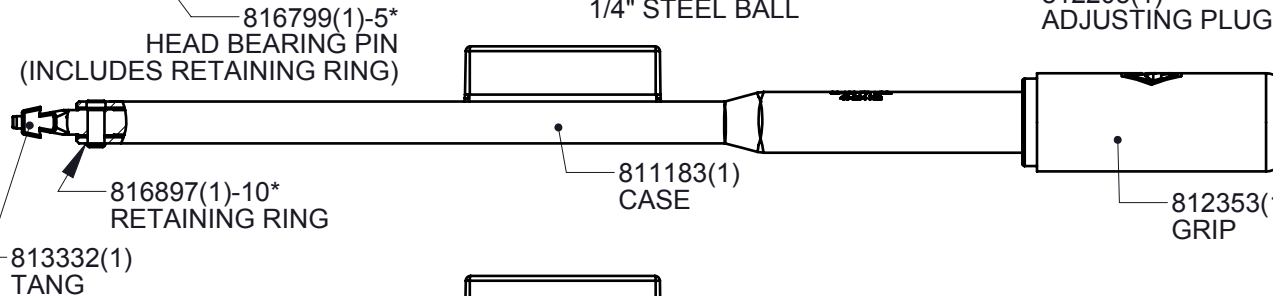


NOTES:

1. TIGHTEN TO 1.5-2.5inlb AND APPLY A DROP OF ADHESIVE (PERMA-LOK MM115 or LOCITE 262) TO SET SCREW(890008) PRIOR TO ASSY INTO TANG(813326).



811372- TANG ASS'Y. (INCLUDES TANG & PIN & SPRING ADAPTER)
857045- INSTRUCTION SHEET
857273- SERVICE INSTRUCTIONS



LEGEND: () = QUANTITY/TOOL
* = QUANTITY/MULTI-PAK

816799- THIS PIN IS FORMED OVER **CUSTOMER MUST** GRIND OFF FORMED END & INSTALL THIS PIN FORMING THE HEAD OVER THE RETAINING RING AS SHOWN.

