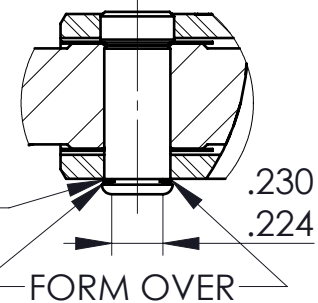


DETAIL A
SCALE 8 : 5
DEFORM BEFORE
CALIBRATION



- 857451 - INSTRUCTIONS
- 857324 - CARTON
- 820122 - CASE PLASTIC
- 863052 - LABEL (AFFIXED TO RECESS, TOP OF CASE)

LEGEND: () = QUANTITY/TOOL
* = QUANTITY/MULTI-PAK



THIS PRINT AND ALL INFORMATION APPEARING THEREON IS THE PROPERTY OF "STURTEVANT RICHMONT". NEITHER THE PRINT NOR THE INFORMATION THEREON MAY BE REPRODUCED OR USED IN ANY MANNER WHATSOEVER OR DIVULGED TO ANY OTHER PERSON UNLESS SPECIFICALLY AUTHORIZED BY "STURTEVANT RICHMONT".

DESCRIPTION

3SD 200I MG (IN./LBS)

DIAGRAM No

869159

REV.

B