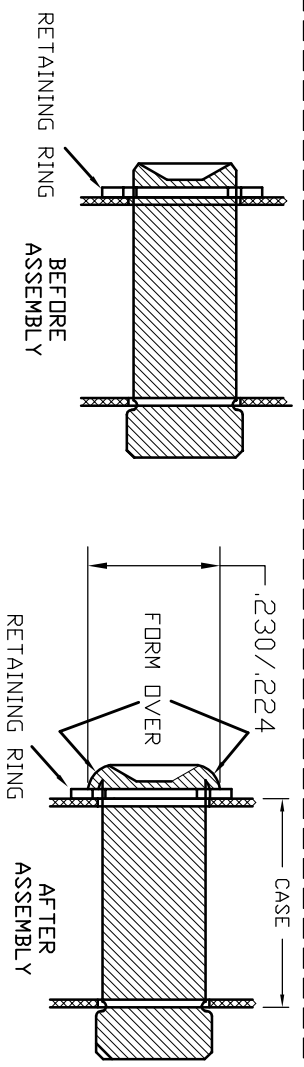


816799—THIS PIN IS FORMED OVER CUSTOMER MUST GRIND OFF FORMED END & INSTALL THIS PIN FORMING THE HEAD OVER THE RETAINING RING AS SHOWN.



857046—INSTRUCTIONS  
 811236—Tang Ass'y. (Includes Tang, Pin & spring adapter, & Adj. screw)

LEGEND: ( ) = Quantity/Tool  
 \* = Quantity/Multi-Pak



THIS PRINT AND ALL INFORMATION APPEARING THEREON IS THE PROPERTY OF "STURTEVANT/RICHMONT". NEITHER THE PRINT NOR THE INFORMATION THEREON MAY BE REPRODUCED OR USED IN ANY MANNER WHATSOEVER DIVULGED TO ANY OTHER PERSON UNLESS SPECIFICALLY AUTHORIZED BY "STURTEVANT/RICHMONT".

PART DESCRIPTION	DIAGRAM NO. & REV.
CCM 75 (FT./LBS)	810770-F