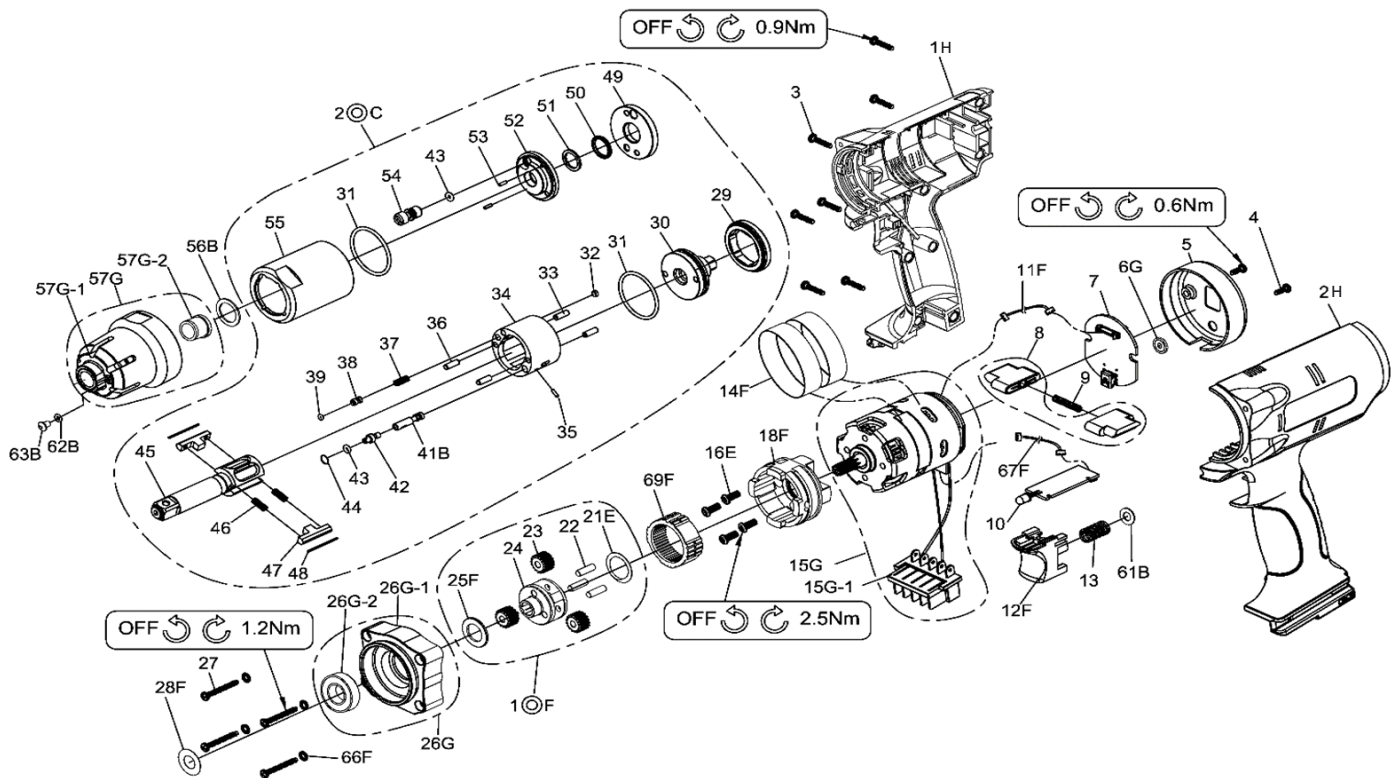


RRI-BIM15T CORDLESS SHUT OFF IMPULSE TOOL



Edition: H

Index No	Part No.	Description	Q'ty
1H	32001-PWAP(S)	Upper Housing	1
2H	32002-PWAP(S)	Lower Housing	1
3	000-0930	Screw (Ø3x14L)	7
4	000-0831	Screw (Ø3x8L)	2
5	C10PW15#W2	Cover	1
6G	C09PW15-3#W2	Button	1
7	E76PW15-1	LED Indicator Board	1
8	B09PW15-1#B1	F/R Valve (1setx2pcs)	1
9	D48PW15-1	Spring	1
10	E76PW15	PC Board	1
11F	B86PW	Connector Wire	1
12F	B09PW#B1	Trigger Assembly	1
13	D48PW15	Spring	1
14F	C39PW15-B	Ring	2
15G	B83PW15-1	Brushless Motor ;w/driver	1
	(1)C06180C#B1	Connector	1
16E	000-1341C	Screw	4
18F	B50PW15-1B	Gear Box Assembly	1
1©F	B51PW15-B	Gear Cage Assembly	1
21E	D39PW15-1B	Washer	1
22	000-3440	Pin	3
23	D49PW15-1	Planet Gear	3
24	D51PW15	Gear Cage	1
25F	D39PW15-B	Washer	1
26G	B52PW15#BW	Housing Cover Assembly	1
	(1)D52PW15#BW	Housing Cover	1
	(2)000-2338	Ball Bearing (6902-2RS)	1
27	000-0840	Screw (Ø4x25L)	4
28F	D39PW15-4	Washer	1
2©C	BI40S-400ASM	Pulse unit	1
29	I40S-402	Lock Nut	1*
30	I40S-415	Rear Plate	1*
31	00-41127	O-Ring	2*

Index No	Part No.	Description	Q'ty
32	I40S-454	Block Cap	1*
33	00-3407	Pin	2*
34	I40S-404-B	Pulse Cylinder	1*
35	00-3436	Pin	1*
36	00-3435	Pin	2*
37	I40S-453	Spring	1*
38	IS40S-421	Pressure Valve	1*
39	00-41173	O-Ring	1*
41B	D55PW15	Valve	1*
42	I80-411	Valve Screw	1*
43	00-41113	O-Ring	2*
44	I80-422	Back Up Ring	1*
45	I40S-405-B	Anvil	1*
46	I40S-407	Spring	2*
47	I40S-406-B	Drive Blade	2*
48	I40S-452	Roller	2*
49	I40S-408	Front Plate	1*
50	00-2602	X-Ring	1*
51	I40-409	Back Up Ring	1*
52	I40S-403-B	Front Cover	1*
53	00-3318	Spring Pin	2*
54	I70-410	Greasing Screw	1*
55	I40S-401	Pulse Cylinder Seat	1*
56B	I40S-424	Washer	1
	B41PW15#BW	Front Cover Assembly	1
57G	(1)D41PW15#BW	Font Cover	1
	(2)D42PW15	Bushing	1
61B	C39PW15-3	Washer	1
62B	000-4114	O-Ring	1
63B	I100-410	Greasing Screw	1
64F	D49PW15-2	Gear Ring	1
66F	000-1840	Spring Washer	4
67F	B86PW-1	Connector Wire	1